

**MEDISTEEL**
**Surface mounted spare toilet roll holder**

**AI0968C**  
Bright finish

**AI0968CS**  
Satin finish

**General Description**

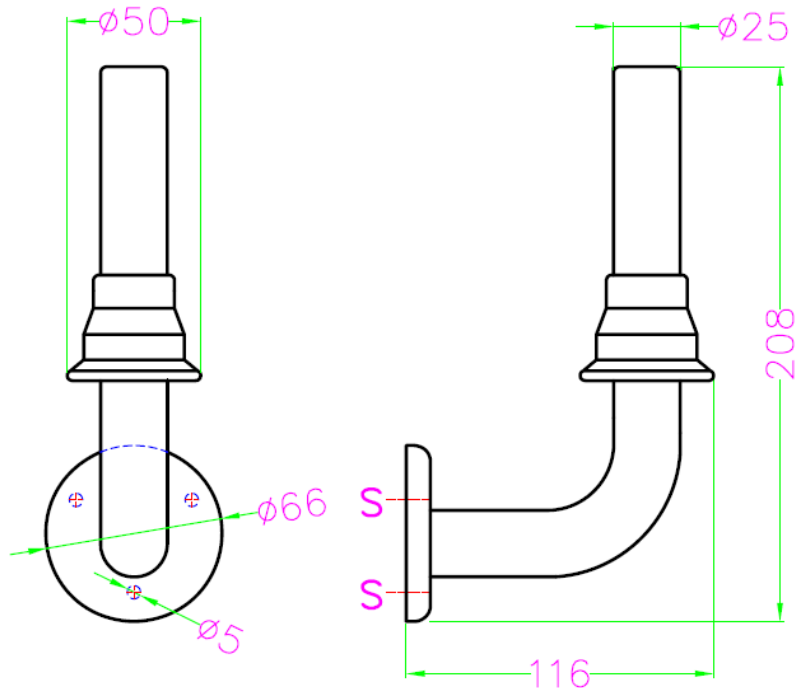
- Surface mounted spare toilet roll holder, made of stainless steel AISI 304 with concealed fixings.
- The stainless steel AISI 304 construction protects the product against rust and ensures quality and longevity.
- The slim and elegant shape creates a perfectly understated way to organize the bathroom life.
- Model suitable for the hotel sector, elderly centers, homes and for collectivities.

**Components & materials**

- **AI0968C:** AISI 304 stainless steel, bright finish.
- **AI0968CS:** AISI 304 stainless steel, satin finish.
- **FLANGE:** made of stainless steel AISI 304, Ø 66 mm.
- **SPINDLE:** made of stainless steel AISI 304, 1.2 mm thickness and Ø 25 mm.
- **MOUNTING BRACKET:** made of stainless steel AISI 304, with three holes Ø 5 mm for wall-mounting and soldered to the spindle.
- **SHELF PLATE:** made of chromed plastic, Ø 50 mm.
- Screws and plugs for installation to the wall are provided.

**Technical Specifications**

<b>General dimensions</b>	$\varnothing 50 \times 116 \times 208 \text{ mm}$
<b>Spindle thickness</b>	1.2 mm
<b>Spindle diameter</b>	$\varnothing 25 \text{ mm}$
<b>Flange diameter</b>	$\varnothing 66 \text{ mm}$

**Dimensions**

 Dimensions:  $\pm 4\%$ 
**MOUNTING**

Secure with stainless steel screws at points indicated by an S (see upper figure).